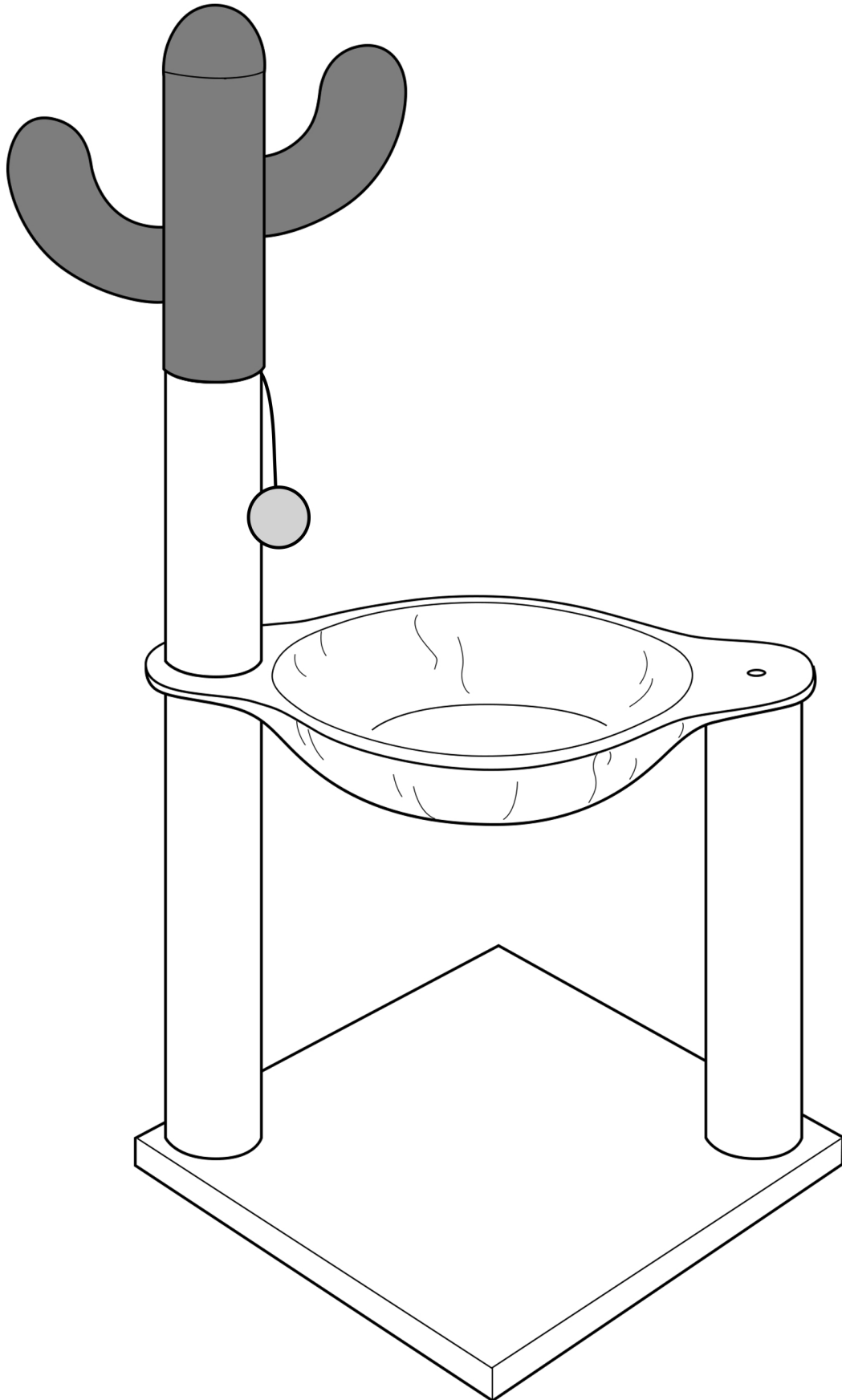


AMT0113



AMT0113



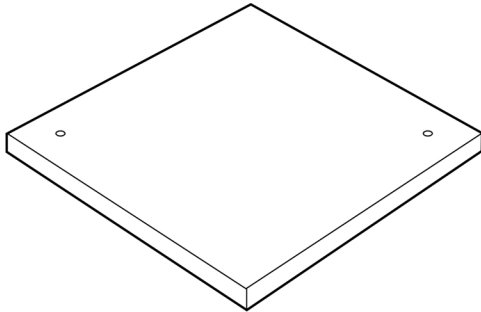
W1:10*40(3pc)



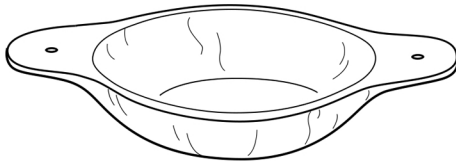
W2:10*80(1pc)



W3:(1pc)



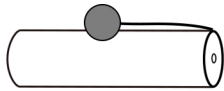
A:400*400*15mm(1ps)



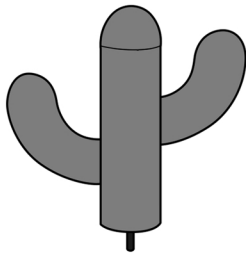
B:(1ps)



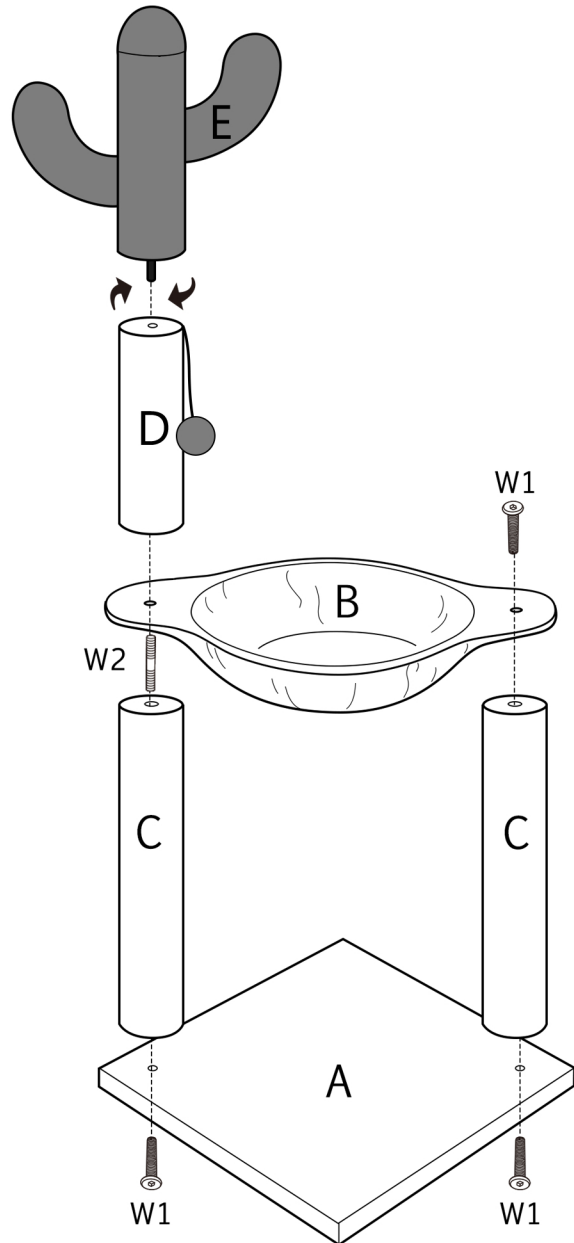
C:84*420mm(2ps)



D:84*250mm(1ps)



E-(1pc)



- We are committed to delivering customer-driven products that live up to your high standards.
- We encourage you to write a review sharing your experiences with the product.
- For further service:
 - Email us for further assistance: pawzroad@gmail.com
 - Subscribe our Youtube account "PAWZ Road" for Video Assembly Instruction.